



**HEARTH PRODUCTS**

LENNOX HEARTH PRODUCTS  
KITS AND ACCESSORIES

750,119M  
Rev. B 03/2008

**3-PIECE LOUVER ASSEMBLY KITS**

**INSTALLATION INSTRUCTIONS FOR LOUVER ASSEMBLY KITS FOR USE WITH MERIT™, MERIT PLUS™, OR ELITE® SERIES GAS FIREPLACES**

LOUVER SET KITS						
Polished Brass		Brushed Stainless		Painted		Models Where Used
Cat. #	Model	Cat. #	Model			
88L27	LVR24PB-2	88L31	LVR24BS	88L23	LVR24C-2	EDVPF, EDPF(-2), EDVCR, EDCR(-2), EDVCL, EDCL(-2), EBVPF, EBPF(-2), EBVCR, EBCR(-2), EBVCL, EBCL(-2), EBBAY
88L28	LVR35PB-2	88L32	LVR35BS			EDV3530, ED3530, MPD3530, MPD35ST, MPD35PF, MPB35ST
88L29	LVR40PB-2	88L33	LVR40BS	88L25	LVR40C-2	EDV4035, MPD4035, EDVST, EDVPF, EDVCR, EDVCL, EBVST, EBVPF, EBVCR, EBST, EBPf, EBBAY, EBCL, EBCR
88L30	LVR45PB-2	88L34	LVR45BS			EDV4540, ED4540-2, MPD4540
26M45	LVR33MPB	26M46	LVR33MBS			MDR3328, MDT3328, MPDT3328, MPDR3328
H7024	LVR22PB	H7025	LVR22BS			MPD35PF

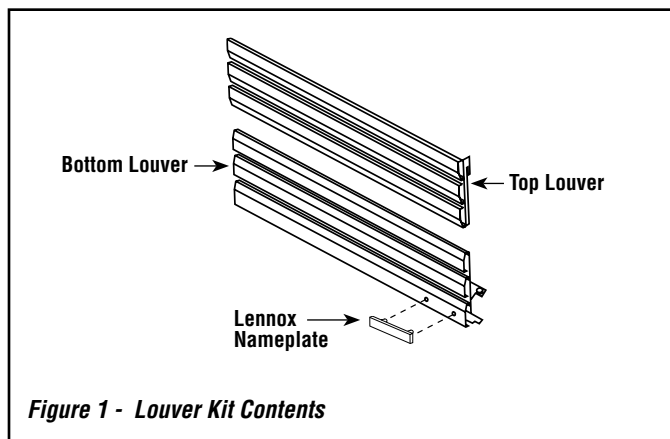
*Table 1*

**GENERAL INFORMATION**

These louver assembly kits may be used with Merit™, Merit Plus™ or Elite® series gas fireplaces. Kit applications are shown in **Table 1**.

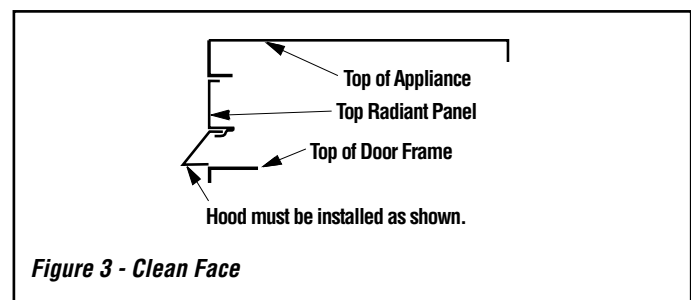
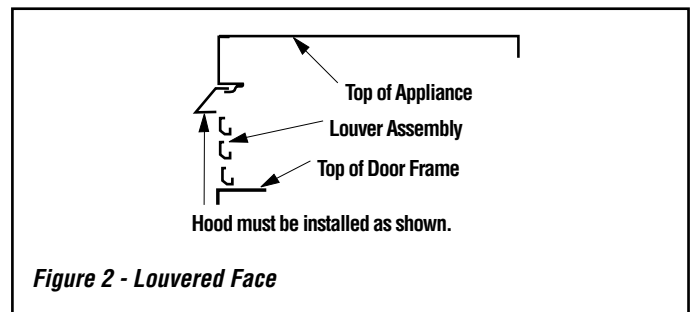
**KIT CONTENTS:**

- 1 ea. Top louver assembly panel
- 1 ea. Bottom louver assembly panel
- 1 ea. Nameplate logo -  
*not used on short panel of EDVPF, EDVCR, EDVCL, EDPF(-2), EDCR(-2) & EDCL(-2)*
- 1 ea. Installation Instructions



**INSTALLATION INSTRUCTIONS**

**Note:** Do not operate fireplace without the eyebrow installed in its normal position. See **Figure 2** for models with louvers or **Figure 3** for models with radiant panels.



## CAUTION

**INSTALL ONLY WHEN THE FIREPLACE IS OFF AND COLD!**

### Merit, Merit Plus or Elite Gas Fireplaces - Converting louvered fireplace to louvered or clean face to louvered-

**Step 1.** Remove the protective plastic covering from the louver assemblies.

**Step 2.** Grasp the existing top radiant panel / hood assembly or louver assembly and slightly lift and pull it forward away from the fireplace. See **Figure 3** for radiant panel assembly and **Figure 2** for Louvered assembly.

**Step 3.** Hang the replacement top louver assembly in the opening.

**Step 4.** Slide the existing hood into the slots on the lower edge of the cabinet top flange. See **Figure 2**.

**Step 5.** Open the bottom radiant panel or louver assembly by pushing in simultaneously the left and right sides of the panel or assembly. (The radiant panel or assembly is hinged at the bottom).

**Step 6.** Merit Models - Remove the assembly from the fireplace by removing the hinge screw and spacer at each end.

Merit Plus or ELite Models - Remove the bottom radiant panel or louver assembly from the fireplace by sliding the hinge pin, located at the radiant panel's left side, to the right until it disengages from the left corner post hole. Pull the door diagonally to the left, away from the fireplace. **Note:** Reverse the use of the words "left" and "right" for EDCR models.

**Step 7.** Snap the replacement nameplate logo into the 2 holes provided in the replacement louver assembly. **Note:** This is not applicable to the short panel of the EDPF, EDCR, EDCL models.

**Step 8.** Merit Models - Install the replacement bottom louver assembly using the existing hinge screws and spacers.

Merit Plus or ELite Models - Install the replacement bottom louver assembly by inserting the right side locating pin into the right cabinet corner post and then the left side spring-loaded pin into the left cabinet corner post. **Note:** Reverse the use of the words "left" and "right" for EDCR models.

## IMPORTANT NOTE

**(Polished Brass & Brushed Stainless Kits Only):** The finish on the polished brass and brushed stainless louvers will require heat to harden and cure (after approximately 3 fires, the finish will be completely cured). Prior to burning this appliance, the polished brass and brushed stainless surfaces should be cleaned thoroughly with a good window cleaning solution and a soft cloth. Do not use any metal polishes or abrasives to clean the surfaces. Any oils or fingerprints left on the finish during the curing process may become permanent blemishes.

NOTE: DIAGRAMS & ILLUSTRATIONS NOT TO SCALE.

Lennox Hearth Products reserves the right to make changes at any time, without notice, in design, materials, specifications, prices and the discontinuance of colors, styles and products. Consult your local distributor for fireplace code information.

